

Owner

Revisions	Sym	Description	Date	By
	Δ			

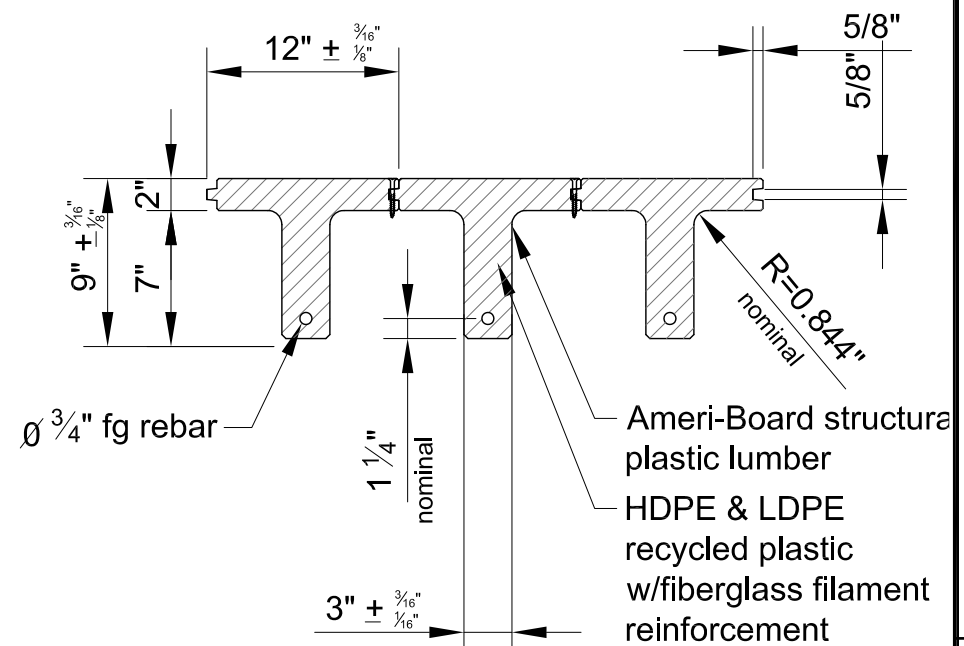
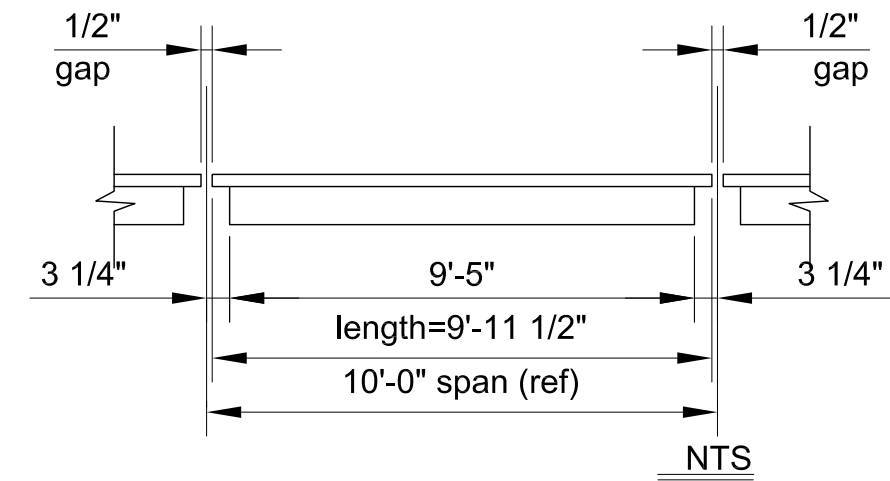
Designed JSD

Drawn JSD

Date 05/08

Plan & Detail

S1



"T" Deck Detail - N.T.S.

Structural req'mts for decking boards spanning 10 ft.- assume 800# pt. load req'mt
Va = 800#
Ma = 2000#/ft.

Note:
All Hardware to be galvanized steel
Use washers on both sides of thru-bolts

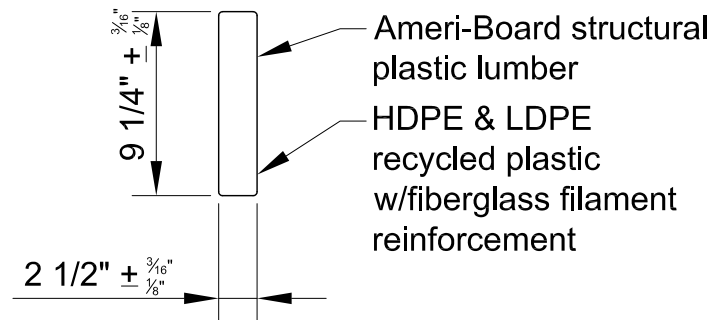
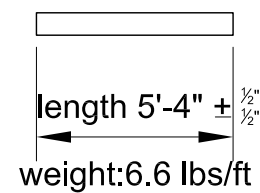
Plastic Decking - 1/2" = 1'-0"

Ameri-Board "T" Deck Cross-Section

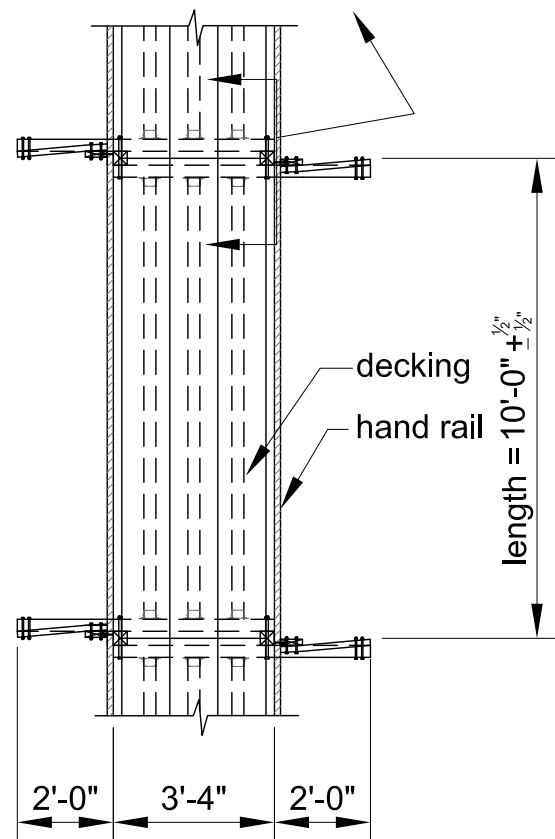
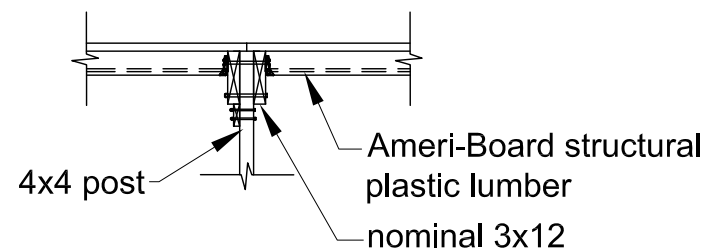
This document contains information which is proprietary to American Plastic Lumber, inc. The information contained herein shall not be disclosed or duplicated, used or disclosed in whole or in part for any purpose other than to evaluate the document.

www.american-plasticlumber.com

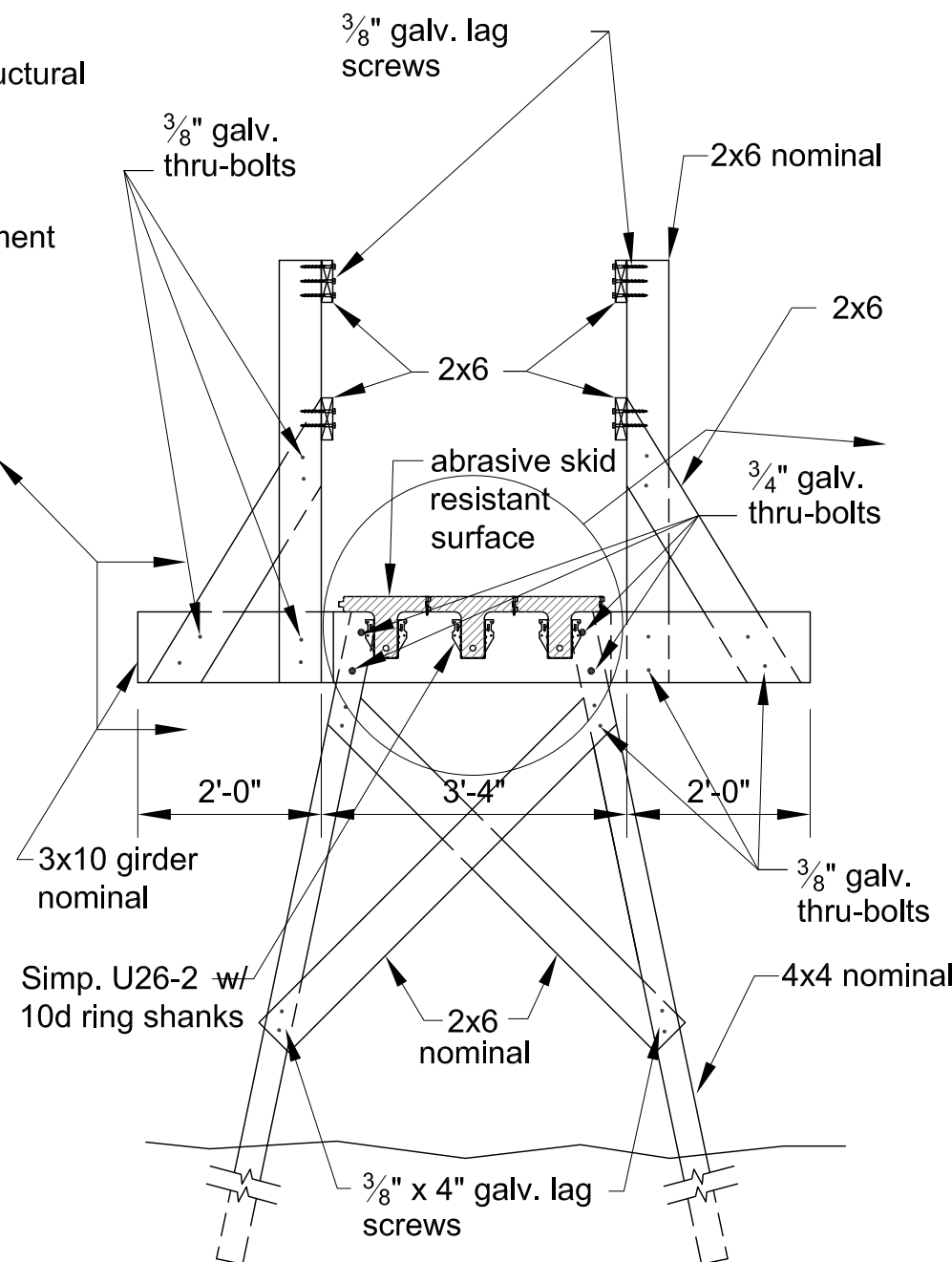
Preliminary
Not For Construction



SF 2"x12" Nominal - N.T.S.
Cross Section



Walkway Plan - 1/4" = 1'-0"



Simp. U26-2 w/ 10d ring shanks

Preliminary
Not For Construction